

Very convenient and easy to install, the anchorage D-rings can be fixed in a variety of positions and are specially designed to avoid roll-out.

⚠ WARNING

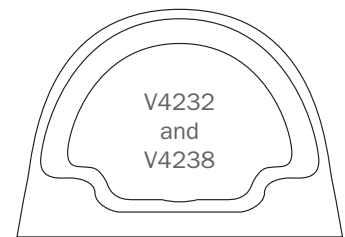
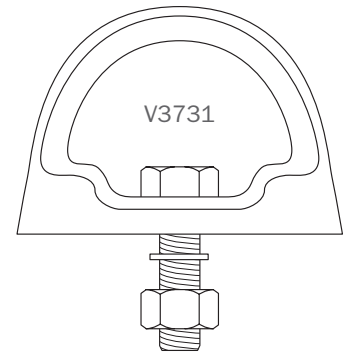
Installation must be approved by a professional engineer.

APPLICABLE STANDARDS

- Manufactured in accordance with ANSI, OSHA and CSA requirements.
- Meets and/or exceeds 5,000 lbs. (22.2 kN) strength requirements for anchorage point.
- Refer to specific standards as federal, state, local or provincial regulations may differ.

AVAILABLE MODELS

- **V3731** Anchorage D-ring with ½ in. (13 mm) clearance hole. Includes nut and bolt
- **V4232** Anchorage D-ring with ½ in. (13 mm) clearance hole. Without connecting hardware.
- **V4238** Anchorage D-ring with ⅝ in. (16 mm) clearance hole. Without connecting hardware.



SPECIFICATIONS	V4230	V4232	V4238
CONSTRUCTION	Drop forged steel with zinc dichromate finish		
PROOF LOAD	100% at 3,600 lbs. (16 kN)		
TENSILE STRENGTH	5,000 lbs. (22.2 kN)		
WEIGHT	0.75 lbs. (340 g)	0.85 lbs. (386 g)	0.8 lbs. (363 g)
RECOMMENDED BOLTS	n/a	minimum grade 8 quality	minimum grade 8 quality
RECOMMENDED TORQUE VALUES	65 to 75 ft./lbf (88 to 102 N/m)	65 to 75 ft./lbf (88 to 102 N/m)	145 to 155 ft./lbf (196 to 210 N/m)

