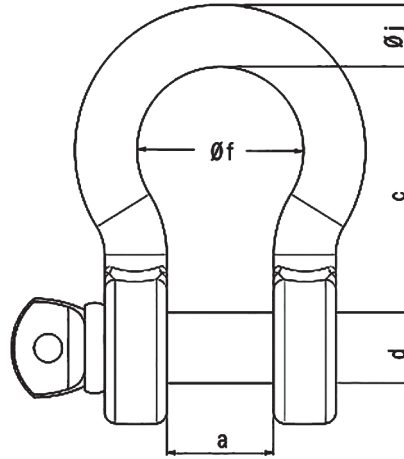


**BOW SHACKLES – TECHNICAL CHARACTERISTICS**

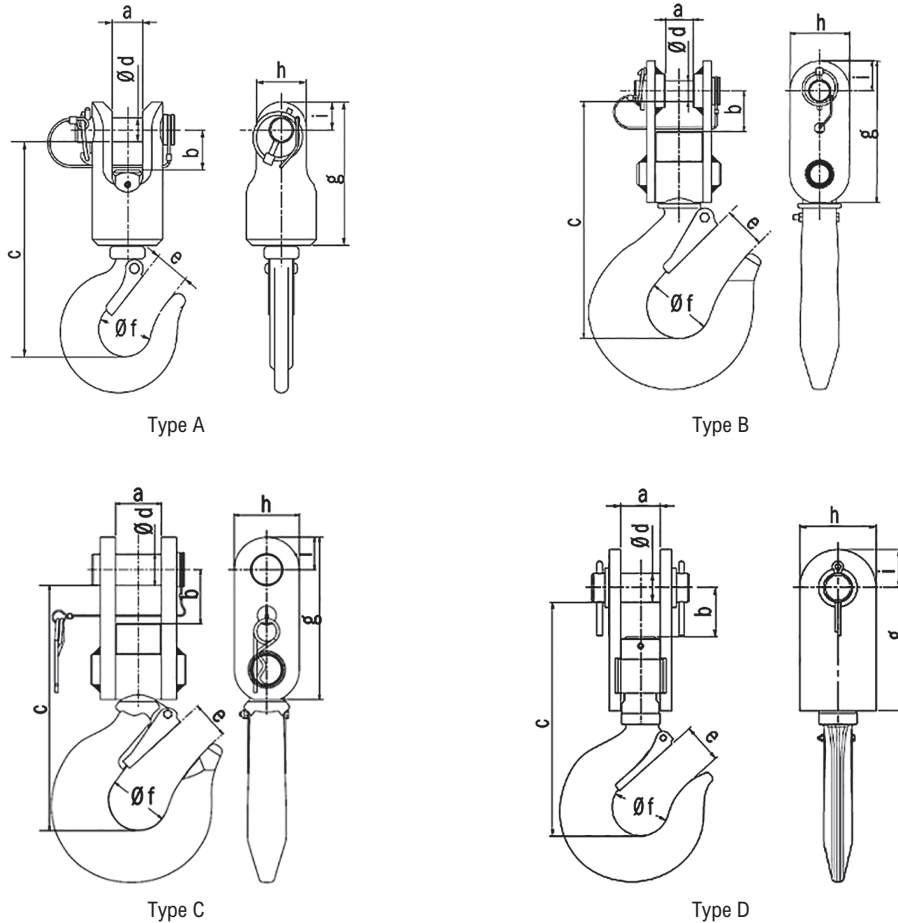


CODE	WORKING LOAD LIMIT	DIMENSIONS					WEIGHT
		a	c	d	øf	øj	
47916	6,500 lb. (3.25 t)	1 <sup>1</sup> / <sub>16</sub> in. (27 mm)	2 <sup>23</sup> / <sub>64</sub> in. (60 mm)	<sup>25</sup> / <sub>32</sub> in. (20 mm)	1 <sup>21</sup> / <sub>32</sub> in. (42 mm)	<sup>5</sup> / <sub>16</sub> in. (16 mm)	1.3 lb. (0.6 kg)
47926	13,000 lb. (6.5 t)	1 <sup>29</sup> / <sub>64</sub> in. (37 mm)	3 <sup>3</sup> / <sub>16</sub> in. (84 mm)	1 in. (25 mm)	2 <sup>29</sup> / <sub>32</sub> in. (58 mm)	<sup>55</sup> / <sub>64</sub> in. (22 mm)	3.1 lb. (1.4 kg)
47936	27,000 lb. (13.5 t)	2 <sup>1</sup> / <sub>4</sub> in. (57 mm)	5 <sup>13</sup> / <sub>64</sub> in. (132 mm)	1 <sup>1</sup> / <sub>2</sub> in. (38 mm)	3 <sup>1</sup> / <sub>2</sub> in. (89 mm)	1 <sup>3</sup> / <sub>8</sub> in. (35 mm)	9.7 lb. (4.4 kg)
112427	34,000 lb. (17 t)	2 <sup>23</sup> / <sub>64</sub> in. (60 mm)	5 <sup>3</sup> / <sub>4</sub> in. (146 mm)	1 <sup>21</sup> / <sub>32</sub> in. (42 mm)	3 <sup>55</sup> / <sub>64</sub> in. (98 mm)	1 <sup>29</sup> / <sub>64</sub> in. (41 mm)	17.2 lb. (7.8 kg)
47946	50,000 lb. (25 t)	2 <sup>7</sup> / <sub>8</sub> in. (73 mm)	7 <sup>1</sup> / <sub>64</sub> in. (178 mm)	2 in. (50 mm)	4 <sup>21</sup> / <sub>64</sub> in. (110 mm)	2 in. (50 mm)	30.9 lb. (14 kg)
47956	100,000 lb. (50 t)	4 <sup>9</sup> / <sub>64</sub> in. (105 mm)	10 <sup>33</sup> / <sub>64</sub> in. (267 mm)	2 <sup>3</sup> / <sub>4</sub> in. (70 mm)	5 <sup>29</sup> / <sub>32</sub> in. (150 mm)	2 <sup>23</sup> / <sub>64</sub> in. (64 mm)	87.5 lb. (39.7 kg)
38166	240,000 lb. (120 t)	5 <sup>3</sup> / <sub>4</sub> in. (146 mm)	15 in. (381 mm)	3 <sup>47</sup> / <sub>64</sub> in. (95 mm)	9 <sup>3</sup> / <sub>64</sub> in. (241 mm)	3 <sup>1</sup> / <sub>2</sub> in. (89 mm)	213.8 lb. (97 kg)
93106	500,000 lb. (250 t)	7 <sup>7</sup> / <sub>8</sub> in. (200 mm)	21 <sup>17</sup> / <sub>64</sub> in. (540 mm)	5 <sup>33</sup> / <sub>64</sub> in. (140 mm)	12 <sup>19</sup> / <sub>32</sub> in. (320 mm)	4 <sup>15</sup> / <sub>16</sub> in. (125 mm)	749.6 lb. (340 kg)

*All our bow shackles have a minimum safety factor of 4, made in forged steel.  
They are delivered painted or galvanised.*

TECHNICAL SHEET

**SWIVEL HOOKS – TECHNICAL CHARACTERISTICS**

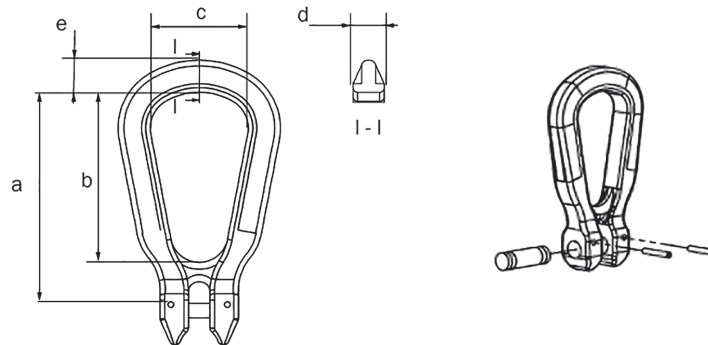


CODE	WORKING LOAD LIMIT	TYPE	DIMENSIONS									WEIGHT
			a	b	c	Ød	e	Øf	g	h	i	
040977	6,400 lb. (3.2 t)	A	1 <sup>1</sup> / <sub>32</sub> in. (26 mm)	1 <sup>19</sup> / <sub>64</sub> in. (33 mm)	7 <sup>9</sup> / <sub>32</sub> in. (185 mm)	2 <sup>5</sup> / <sub>32</sub> in. (20 mm)	1 <sup>17</sup> / <sub>64</sub> in. (32 mm)	1 <sup>59</sup> / <sub>64</sub> in. (49 mm)	4 <sup>41</sup> / <sub>64</sub> in. (118 mm)	1 <sup>1</sup> / <sub>16</sub> in. (43 mm)	2 <sup>9</sup> / <sub>32</sub> in. (23 mm)	7.1 lb. (3.2 kg)
105567	13,000 lb. (6.5 t)	B	1 <sup>19</sup> / <sub>64</sub> in. (33 mm)	1 <sup>57</sup> / <sub>64</sub> in. (48 mm)	10 <sup>59</sup> / <sub>64</sub> in. (277.5 mm)	1 in. (25 mm)	2 in. (50 mm)	2 <sup>29</sup> / <sub>32</sub> in. (74 mm)	6 <sup>17</sup> / <sub>32</sub> in. (166 mm)	2 <sup>3</sup> / <sub>4</sub> in. (70 mm)	1 <sup>3</sup> / <sub>8</sub> in. (35 mm)	21.2 lb. (9.6 kg)
113227	30,000 lb. (15 t)	C	2 <sup>23</sup> / <sub>64</sub> in. (60 mm)	2 <sup>3</sup> / <sub>4</sub> in. (70 mm)	12 <sup>5</sup> / <sub>8</sub> in. (320.5 mm)	1 <sup>39</sup> / <sub>64</sub> in. (41 mm)	2 <sup>9</sup> / <sub>32</sub> in. (58 mm)	3 <sup>5</sup> / <sub>32</sub> in. (80 mm)	8 <sup>25</sup> / <sub>64</sub> in. (213 mm)	3 <sup>11</sup> / <sub>32</sub> in. (85 mm)	1 <sup>43</sup> / <sub>64</sub> in. (42.5 mm)	38.4 lb. (17.4 kg)
105587	40,000 lb. (20 t)	C	2 <sup>53</sup> / <sub>64</sub> in. (72 mm)	3 <sup>25</sup> / <sub>64</sub> in. (86 mm)	15 <sup>15</sup> / <sub>64</sub> in. (387 mm)	2 in. (50 mm)	3 in. (76 mm)	4 <sup>3</sup> / <sub>32</sub> in. (104 mm)	10 <sup>5</sup> / <sub>8</sub> in. (270 mm)	4 <sup>21</sup> / <sub>64</sub> in. (110 mm)	2 <sup>11</sup> / <sub>64</sub> in. (55 mm)	69.4 lb. (31.5 kg)
051207	50,000 lb. (25 t)	D	2 <sup>3</sup> / <sub>4</sub> in. (70 mm)	3 <sup>25</sup> / <sub>64</sub> in. (86 mm)	15 <sup>15</sup> / <sub>64</sub> in. (387 mm)	2 in. (50 mm)	3 in. (76 mm)	4 <sup>3</sup> / <sub>32</sub> in. (104 mm)	9 <sup>27</sup> / <sub>32</sub> in. (250 mm)	5 <sup>3</sup> / <sub>32</sub> in. (134 mm)	2 <sup>41</sup> / <sub>64</sub> in. (67 mm)	97 lb. (44 kg)
051447	100,000 lb. (50 t)	D	3 <sup>31</sup> / <sub>32</sub> in. (101 mm)	4 <sup>21</sup> / <sub>64</sub> in. (110 mm)	19 <sup>7</sup> / <sub>8</sub> in. (505 mm)	2 <sup>3</sup> / <sub>4</sub> in. (70 mm)	3 <sup>15</sup> / <sub>16</sub> in. (100 mm)	4 <sup>59</sup> / <sub>64</sub> in. (125 mm)	12 <sup>41</sup> / <sub>64</sub> in. (321 mm)	6 <sup>29</sup> / <sub>64</sub> in. (164 mm)	3 <sup>15</sup> / <sub>64</sub> in. (82 mm)	198.4 lb. (90 kg)

All our swivel hooks have a minimum safety factor of 4, made in high strength steel.  
They are delivered painted in black.

TECHNICAL SHEET

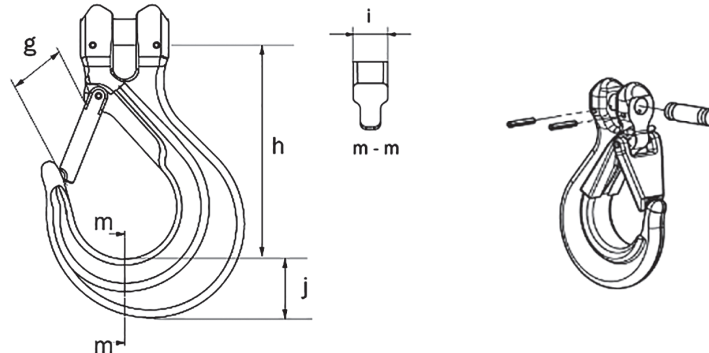
### CLEVIS SHACKLES – TECHNICAL CHARACTERISTICS



CODE	WORKING LOAD LIMIT	DIMENSIONS					WEIGHT
		a	b	c	d	e	
111407	6,400 lb. (3.2 t)	4 <sup>3</sup> / <sub>16</sub> in. (111 mm)	3 <sup>15</sup> / <sub>32</sub> in. (88 mm)	2 in. (50 mm)	4 <sup>3</sup> / <sub>16</sub> in. (17 mm)	4 <sup>3</sup> / <sub>16</sub> in. (17 mm)	1.7 lb. (0.77 kg)
111417	12,600 lb. (6.3 t)	7 <sup>7</sup> / <sub>32</sub> in. (185 mm)	5 <sup>29</sup> / <sub>32</sub> in. (150 mm)	3 <sup>11</sup> / <sub>32</sub> in. (85 mm)	1 <sup>1</sup> / <sub>16</sub> in. (27 mm)	1 <sup>1</sup> / <sub>16</sub> in. (29 mm)	6.9 lb. (3.14 kg)
112207	20,000 lb. (10 t)	8 <sup>17</sup> / <sub>64</sub> in. (210 mm)	6 <sup>7</sup> / <sub>64</sub> in. (155 mm)	3 <sup>47</sup> / <sub>64</sub> in. (95 mm)	1 <sup>1</sup> / <sub>16</sub> in. (27 mm)	1 <sup>1</sup> / <sub>32</sub> in. (31 mm)	9.5 lb. (4.31 kg)

All our clevis shackles have a minimum safety factor of 4, made in high strength steel.  
They are delivered painted in yellow, with axles and safety pin.

### CLEVIS HOOKS – TECHNICAL CHARACTERISTICS



CODE	WORKING LOAD LIMIT	DIMENSIONS				WEIGHT
		a	b	c	d	
111437	6,400 lb. (3.2 t)	1 <sup>39</sup> / <sub>64</sub> in. (41 mm)	4 <sup>21</sup> / <sub>64</sub> in. (110 mm)	1 in. (25 mm)	1 <sup>3</sup> / <sub>16</sub> in. (30 mm)	2.4 lb. (1.08 kg)
111447	12,600 lb. (6.3 t)	2 <sup>41</sup> / <sub>64</sub> in. (67 mm)	6 <sup>29</sup> / <sub>64</sub> in. (164 mm)	1 <sup>11</sup> / <sub>32</sub> in. (34 mm)	1 <sup>24</sup> / <sub>32</sub> in. (47 mm)	8.2 lb. (3.72 kg)
112217	20,000 lb. (10 t)	3 <sup>5</sup> / <sub>32</sub> in. (80 mm)	7 <sup>43</sup> / <sub>64</sub> in. (195 mm)	1 <sup>11</sup> / <sub>16</sub> in. (43 mm)	2 in. (50 mm)	16.7 lb. (7.56 kg)

All our clevis hooks have a minimum safety factor of 4, made in high strength steel.  
They are delivered painted in yellow, with axles and safety pin.

TECHNICAL SHEET

COMPATIBILITY WITH DYNAFOR® INDUSTRIAL, PRO AND EXPERT

MODEL	CAPACITY	 BOW SHACKLE	 SWIVEL HOOK	 CLEVIS SHACKLE	 CLEVIS HOOK
 industrial	2,000 / 6,400 lb. (1 / 3.2 kg)	47916	40977	–	–
	12,600 lb. (6.3 kg)	47926	105567	–	–
	13,000 lb. (12.5 kg)	47936	113227	–	–
	40,000 lb. (20 kg)	47946	105587	–	–
 pro	2,000 / 6,400 lb. (1 / 3.2 kg)	47916	40977	–	–
	13,000 lb. (6.5 kg)	47926	105567	–	–
	30,000 lb. (15 kg)	112427	113227	–	–
	50,000 lb. (25 kg)	47946	51207	–	–
	100,000 lb. (50 kg)	47956	51447	–	–
	200,000 lb. (100 kg)	38166	–	–	–
	500,000 lb. (250 kg)	93106	–	–	–
 expert	1,000 / 2,000 / 4,000 / 6,400 lb. (0.5 / 1 / 2 / 3.2 kg)	47916	–	111407	111437
	10,000 / 12,600 lb. (5 / 6.3 kg)	47926	–	111417	111447
	20,000 lb. (10 kg)	47936	–	112207	112217